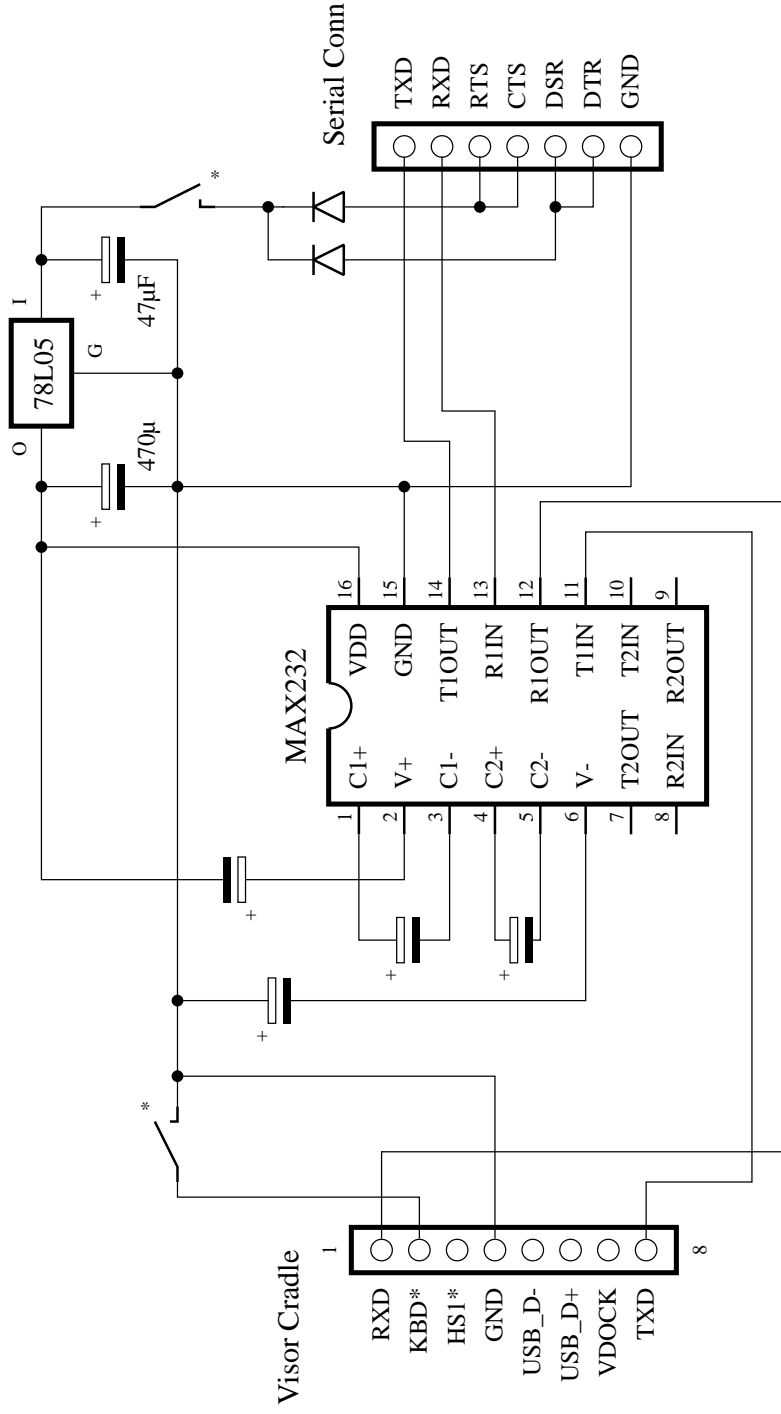
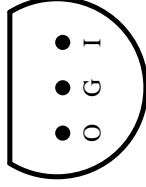


Serial HotSync with Visor USB-Cradle



78L05



Bottom View

* optional, closed for serial HotSync
 all C are 10 µF, 16 V except noted
 all diodes are 1N4148

Serial Connector Mapping

	TXD	RXD	RTS	CTS	DSR	DTR	GND
25 Pin Female	3	2	5	4	20	6	7
25 Pin Male	2	3	4	5	6	20	7
9 Pin Female	2	3	8	7	4	6	5
9 Pin Male	3	2	7	8	6	4	5